



DSL0304 Lat Pulldown

DISCOVERY™ SERIES SELECTORIZED LINE

Like every piece of equipment in our Discovery™ Series Selectorized Line, the DSL0304 Lat Pulldown adds value to your facility by combining essential performance and durability with thoughtful design to deliver an exerciser experience that feels natural.

The Discovery Series Selectorized Lat Pulldown features wide handles and stabilizing thigh roller pads to maximize lat muscle engagement, resulting in a biomechanically-sound workout.

Strength equipment is a long-term investment and with the Discovery Series from Precor, you can make your strength purchase decision with confidence. With a full range of products that are approachable and intuitive, perform for exercisers of all ability levels, and will withstand the test of time, the Discovery Series is the straightforward strength solution you've been looking for.



Learn More: go.precor.com/dsl0304

PRECOR
Fitness Made Personal

©2018 Precor Incorporated.

DSL0304 Lat Pulldown

DISCOVERY™ SERIES SELECTORIZED LINE

Product Features

1. Handles

Wide handles maximize lat muscle engagement and provide sound biomechanics.

2. Stabilizing Roller Pad

Oversized thigh roller pads provide exerciser comfort and stability for proper form throughout the movement.

3. Weight Tower, Shroud, and Weight Stack

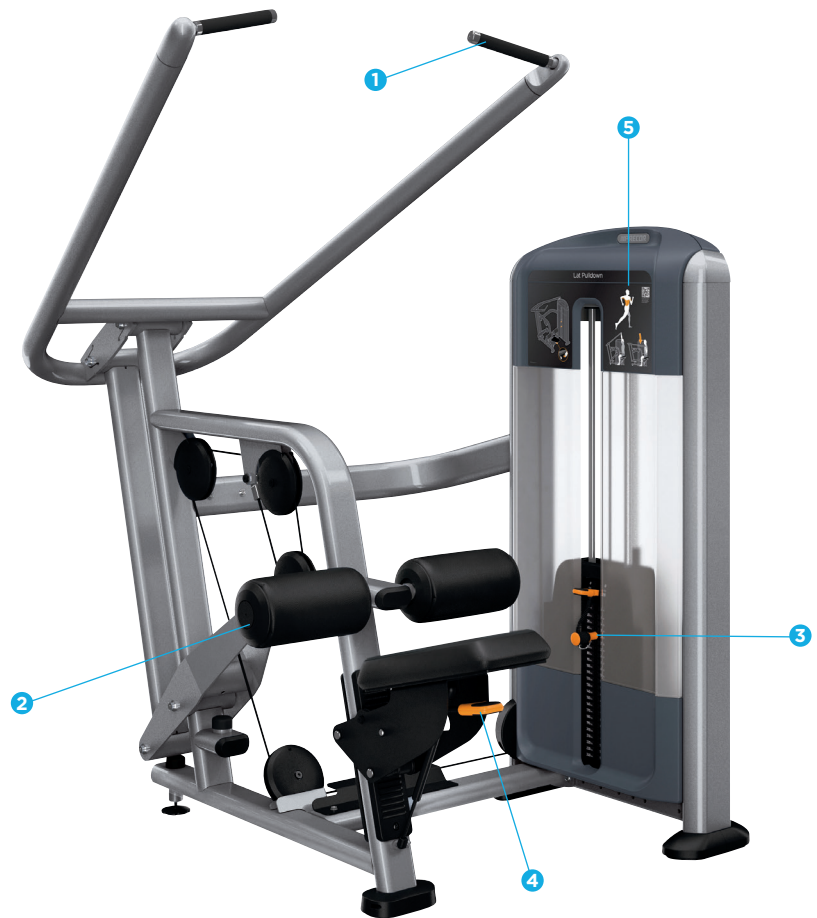
The open and inviting design allows exercisers to easily access the weight stack selector pin and add-on weight lever. The 5 lb / 2.3 kg add-on weight can be engaged with a simple flip of the lever to increase the load. The shroud cap is secured with three fasteners for easy access and maintenance, and the smaller diameter cables are flexible enough to stand up to the rigors of the facility floor.

4. Ratcheting Seat Adjustment

The ratcheting, gas-assisted seat adjustment features a large, ergonomic, over-molded rubber adjustment handle, making it easy and comfortable for exercisers to get the right fit.

5. Instructional Placard

Easy-to-understand, large, text-free illustrations demonstrate correct form at a glance and a QR code links to a helpful 30-second instructional video.



SPECIFICATIONS

Dimensions (L x W x H): 67 x 61 x 77 in / 170 x 155 x 196 cm

Product Weight: 619 lb / 281 kg

Weight Stack: 240 lb / 109 kg

Incremental Add-on Weight: 5 lb / 2.3 kg

Frame and Finish: Oversized 4x2-inch frames are 11 and 8-gauge steel and welded in all structural areas. Powder coated frames.

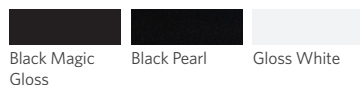
Warranty: Visit www.precor.com for warranty terms.

Standard Color Options

Frame



Gloss Metallic Silver Metallic Ash Desert Bronze



Black Magic Gloss Black Pearl Gloss White

Shroud



Dark Cavern Black Pacific Blue

* Custom shroud wraps are available at an additional cost.

Upholstery



All Spice American Beauty Black Blue Jay Burgundy Deep Clay



Grey Hunter Green Navy New Purple Regal Blue Slate

• Colors may vary.
• Custom colors available. Please contact a Precor Sales Representative.

Learn More: go.precor.com/dsl0304

PRECOR
Fitness Made Personal